

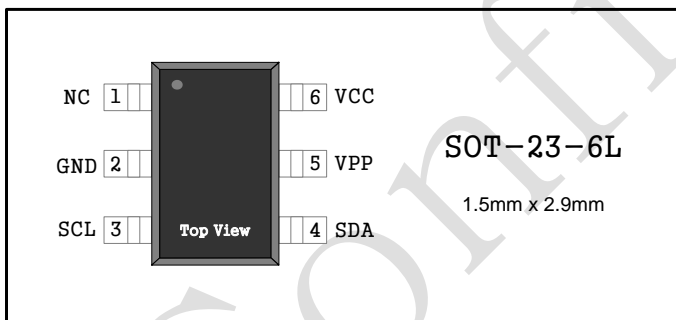
Features

- High performance illegal copy protection IC
- 128bits encryption and decryption applied with AES-128
- IIC Serial Interface
- 1.8V/3.3V Operation Voltage
- Built-in Power on Reset / OSC
- Two Power Mode (Active, Sleep)
- ACE-Q100 Standard Grade 1

Applications

- Navigation, GPS, Block-box
- Etc.(Most of electronic system using u-Processor)

Pin Configuration



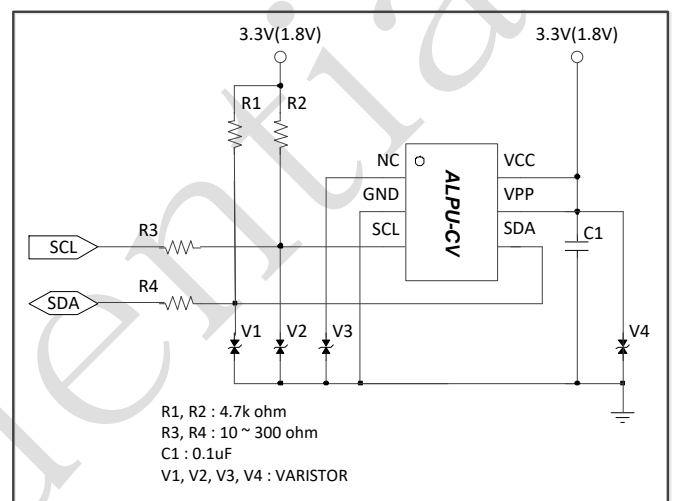
Ordering Information

Part	Operation Voltage	Package Type
ALPU-CV	3.3V	SOT-23-6L
ALPU-CVL	1.8V	SOT-23-6L

General Description

The ALPU-CV is the high-end IC among the ALPU series. Its encryption core is based on Rijndael AES-128 with 192-bits programmable parameters. It is a slave device that always operates with MCU through the serial bus.

Typical Operation Circuit



< SOT-23-6L Package Type >

Encryption Flow

