

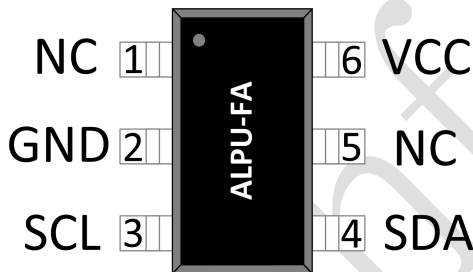
## Features

- User programmable copy protection IC
- 32 Kbits EEPROM, Retention(10 years)
- Erase/Write Endurance: 100K@25°C
- Support AES128 encryption and decryption  
SHA256/AES128 Authentication
- User ID, User Serial, MIDR, RVC
- 3.3V Operation Voltage, I2C I/F
- Built- in Power on Reset and 8 MHz OSC.
- Active, Sleep Power Mode

## Applications

- Print cartridge, GPS, Navigation
- Mobile Device, IPC, CCTV, DVD
- Set-Top Boxes (STBs), Etc.

## Pin Configuration



<SOT-23-6L Package>

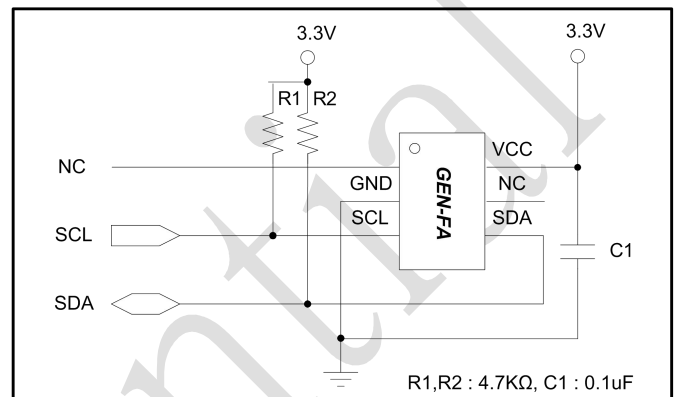
- SOP8 packages will be available.

## General Description

The GEN -FA has 32 Kbits EEPROM. A configuration data and user data can be saved at the EEPROM. The data is protected by password and encryption. The GEN has SHA-256 core. SHA-256 is used for an authentication. It is a slave device that always

operates with MCU through the serial bus. The GEN has an internal 8 MHz clock. When the MCU does not access the GEN for a defined time, the GEN goes to sleep mode. The 8MHz OSC does not oscillate for sleep mode.

## Typical Operation Circuit



< SOT-23-6L Package Type >

SCL and SDA is open drain. SDA is bi-directional port.

## SHA256 Authentication Flow

